

# DT-B DASH PREMIUM TIE-DOWN KIT (pair)

## INSTRUCTIONS



**Thank you for purchasing our DT-B Premium Tie-Down Kit**

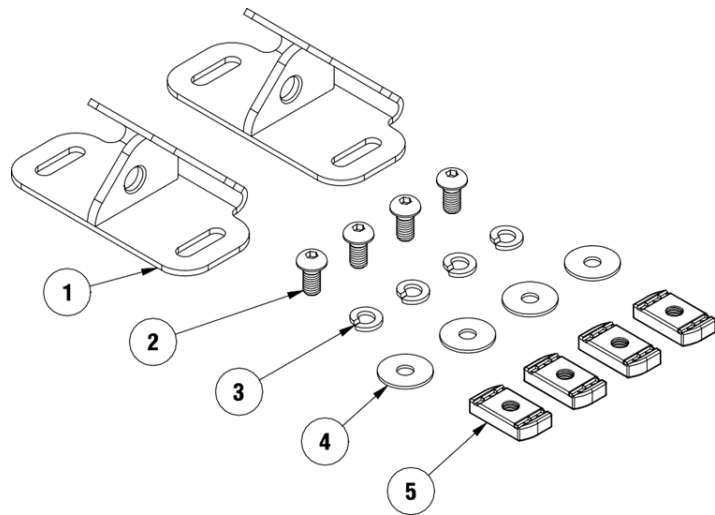
These tie-down brackets are designed to mount to your DASH Roof Rack or other compatible platform roof racks like the Rhino-Rack Pioneer and Yakima LockNLoad.

All supplied components are made from durable 300-series stainless steel to ensure the product's longevity.

If you have any questions regarding your installation that aren't addressed in this manual, please get in touch with us at [Sales@dashoffroad.com.au](mailto:Sales@dashoffroad.com.au)

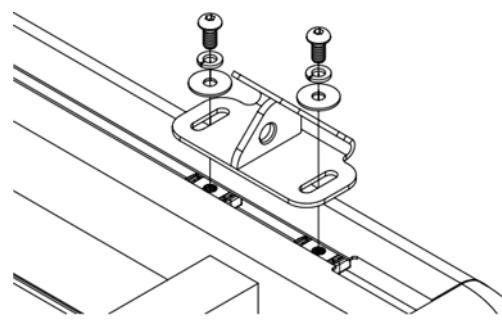
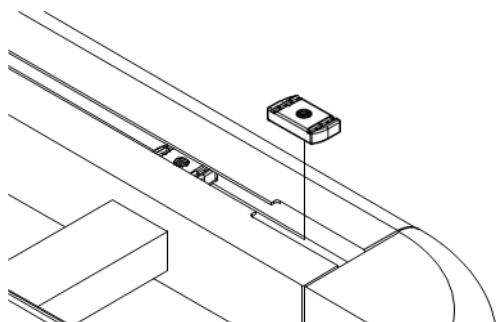
Kit Contents:

- 2x TDB Tie-Down Brackets
- 4x Button Head Screws
- 4x Spring Washers
- 4x Flat Washers
- 4x Channel Nuts



Slide Channel Nuts (5) into your platform

Attach brackets using screws, spring and flat washers ensure they are fully tightened

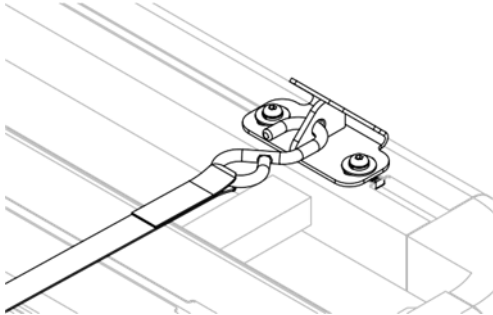


# DT-B DASH PREMIUM TIE-DOWN KIT (pair)

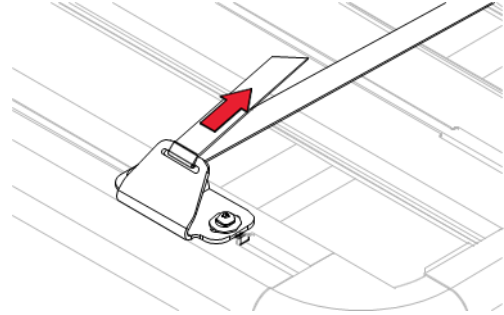
## INSTRUCTIONS



Use Tie-Down Bracket center plate to attach Ratchet Strap 'S'-Hook  
(Maximum hook diameter = 11mm)



Feed excess webbing through the slot if required (Maximum strap width = 35mm)



**Warning:** This kit is intended for load restraint only

Do not use for lifting, recovery, or any other purpose

Be aware of both your vehicle & your roof rack load limits on & off-road before use.

**Note:** Use all washers provided to avoid bolt contacting slot base

Use mounting slots to adjust bracket position if required