

DR-GH Roof Rack Grab Handle

INSTRUCTIONS



Thank you for purchasing our DR-GH Roof Rack Grab Handle

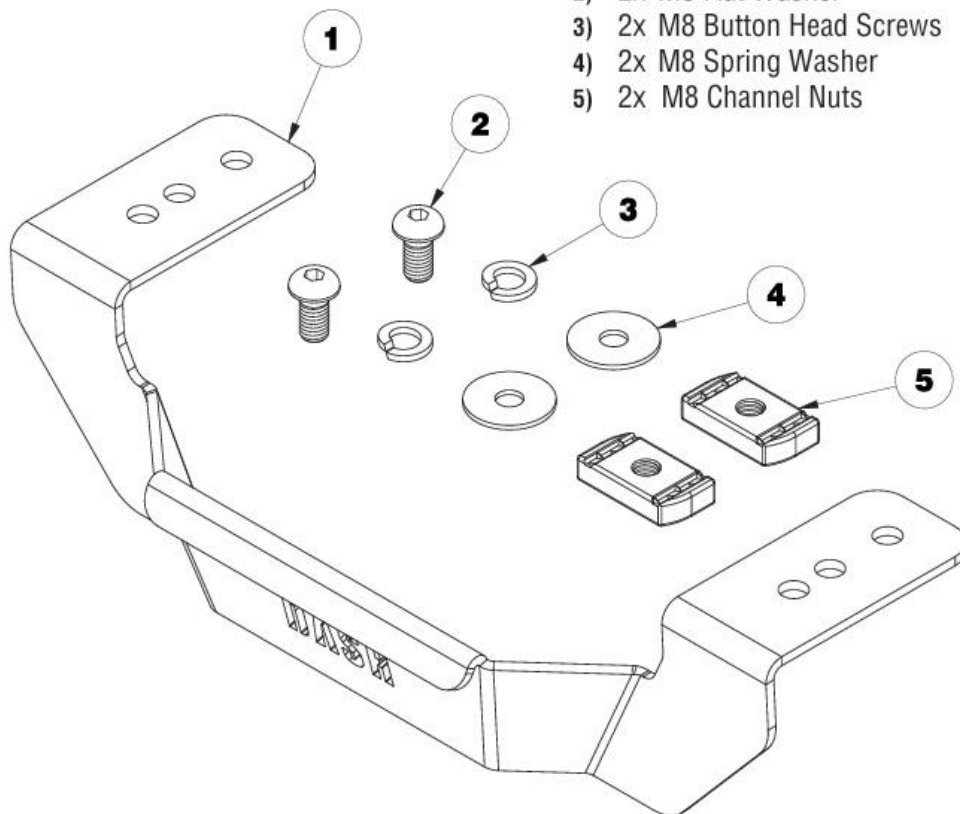
This kit is designed to mount to your DASH Roof Rack, giving you easy access to everything else on your platform.

The handle and all supplied components are made from durable 300-series stainless steel to ensure the product's longevity.

If you have any questions regarding your installation that aren't addressed in this manual, please get in touch with us at Sales@dashoffroad.com.au

Kit Contents:

- 1) 1x DR GH Grab Handle
- 2) 2x M8 Flat Washer
- 3) 2x M8 Button Head Screws
- 4) 2x M8 Spring Washer
- 5) 2x M8 Channel Nuts

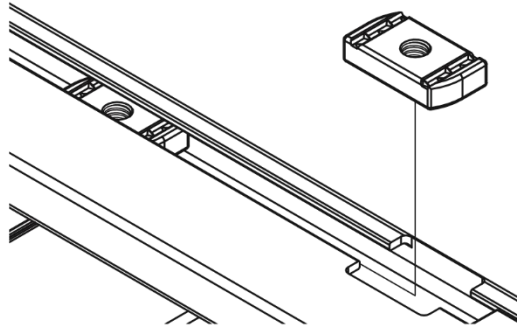


DR-GH Roof Rack Grab Handle

INSTRUCTIONS

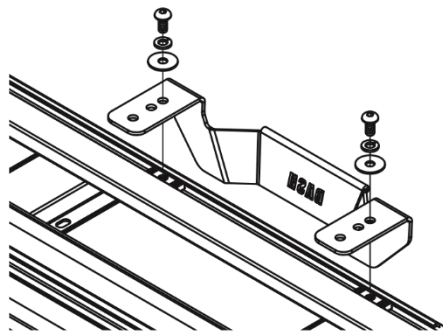


- 1) Locate **Channel Nuts (5)** in your platform in desired location



- 2) Place **Grab Handles (1)** on your platform, securing to channel nuts using **M8 Screws (2)**, **Spring** and **Flat Washers (3 & 4)**, ensuring they are fully tightened

*Notes: All fasteners and washers **must** be used and firmly tightened*



Platform Compatibility:

