

DM-AQ MOUNTING BRACKET KIT

INSTRUCTIONS



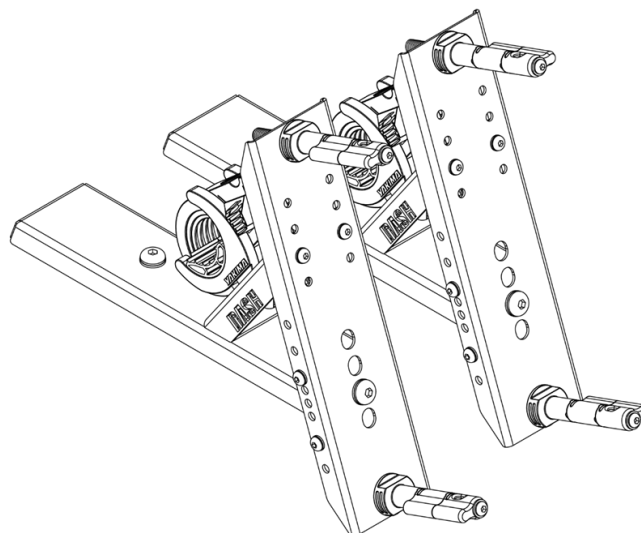
Thanks for purchasing our DM-AQ Mounting Bracket Kit!

This kit is designed to mount your **MAXTRAX MkII** or **XTREME** recovery tracks along with a shovel, axe, or other long-handled tool to your DASH Roof Rack or other compatible platform roof racks like the Rhino Rack Pioneer and Yakima LockNLoad.

If you have any concerns regarding your install, please contact us at dashoffroad.com.au

Kit Contents:

- 2 x Quick-Release Angled Mount Brackets (*supplied in 3 pieces*) - 2 x Quick-Release Bases
- 2 x Quick-Release Base Covers
- 16x M6 x 16mm Button Head Screws
- 18x M6 Spring Washers - 16x M6 Flat Washers
- 8 x M10 Button Head Screws
- 8 x M10 Spring Washers
- 4 x M10 x 4mm Washers
- 4 x M10 Flat Washers
- 4 x M10 Channel Nuts
- 2 x M6 x 25mm Button Head Screws (*for Shovel Holders*)



DM-AQ MOUNTING BRACKET KIT INSTRUCTIONS

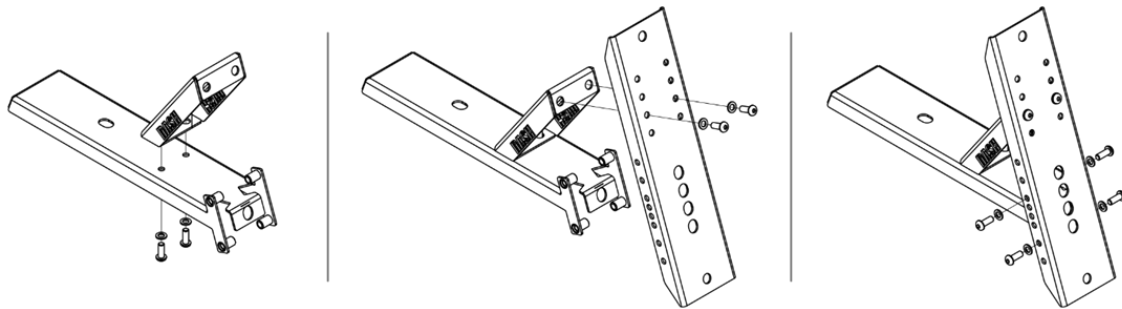


Installation:

1. Loosely assemble **Angled Mount Brackets'** three pieces using **M6x16mm Screws**, **Spring Washers**, and **Flat Washers** as shown, placing Front Plate at desired height

To ensure proper fitment, loosely assemble pieces before fully tightening screws

Optional: use *Loctite* (not included) to ensure screws don't loosen over time



2. From **MAXTRAX Pin Kit** (*not included*) fix **Mounting Pins**, **M10 Flat Washers**, and **Nyloc Nuts** to both Brackets, ensuring pins are oriented as per cover image

3. From **Yakima AceO'Spades Kit** (*not included*), fix **Shovel Holders**, to both brackets using **M6x25mm Screws** and **Spring Washers**

4. Locate **Channel Nuts** in your platform in desired location (1 per bracket in outer rails, 1 per bracket in first inner rail)

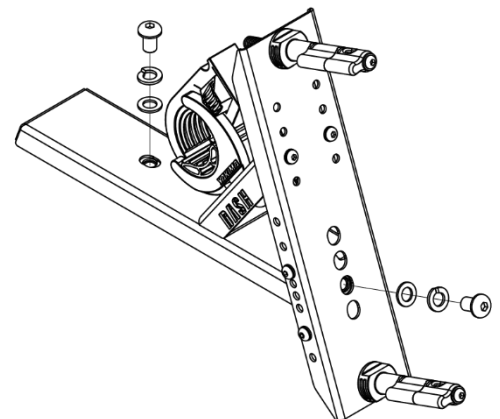
5. **Attach Quick-Release Bases** to your platform **890mm apart (centre-to-centre)**, securing to channel nuts using **M10 Screws**, **Spring Washers**, and **4mm Washers**, ensuring they are fully tightened

NOTE: All washers and fasteners **must** be used and firmly tightened when installing **NOTE:** Attach Bases so MAXTRAX are as close to your roof rack as possible

6. Attach assembled **Angled Mount Brackets** to **Bases** using two sets of **M10 Screws**, **Spring Washers** and **Flat Washers** – one in the

Front Plate and one in the Bottom

Plate as shown



DM-AQ MOUNTING BRACKET KIT

INSTRUCTIONS



7. If removing brackets, replace with **Quick-Release Base Covers** using M10 screws and washers from step 6

NOTE: *Check ALL bolts regularly as they may loosen over time*

