

# DASH Y62 QUARTER AIR OUTLET KIT INSTALLATION INSTRUCTIONS



1. Open the tailgate and remove ceiling trim.  
Be careful not to lose the x2 metal clips from light.



2. Remove floor panels and left upper and lower plastic trims. Use care as they can crack easily.



3. Place stencil on upper plastic trim and mark centre for outlet hole. Drill hole using a 51mm hole saw.  
Clean up hole and fit supplied rubber grommet.



4. Fit air outlet quick connector (removed from compressor) to mounting bracket and screw into 90-degree adaptor. Use sealer.



# DASH Y62 QUARTER AIR OUTLET KIT INSTALLATION INSTRUCTIONS



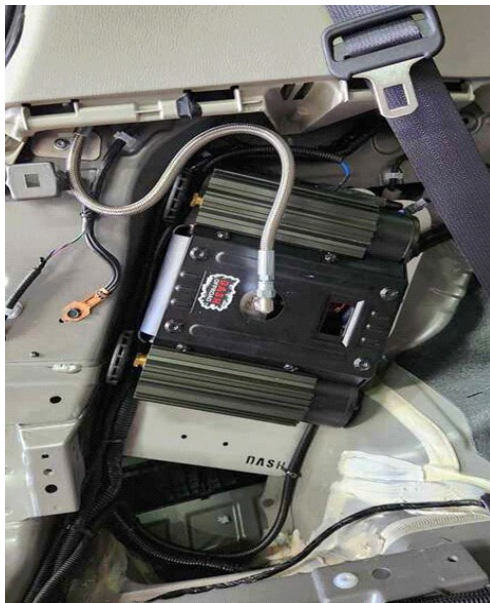
5. Cut out bracket template and place on metal panel just below seatbelt mount and align Markings (see pic.) Mark holes but don't drill yet. Refit plastic upper panel temporarily. Fit up air outlet into grommet and confirm hole marks. Remove trim and drill x2 6mm holes.



6. Paint inside of holes. Place rivnut bracket inside panel and bolt up bracket using x2 6mm hex screws and washers.



7. Connect braided hose to air outlet and tighten. Use sealant. Connect other end of braided hose to compressor and tighten. Use sealer.



8. You will need to modify lower plastic quarter trim by drilling out x5 plastic welds and remove inside plastic Housing. **Take care not to drill too deep**



9. Run and check for leaks. Refit all trims as required.

**Note.** You may need to relocate switch from compressor to an accessible location and rewire. Will need to remove compressor top plate to remove air outlet quick connector and switch depending on compressor used.

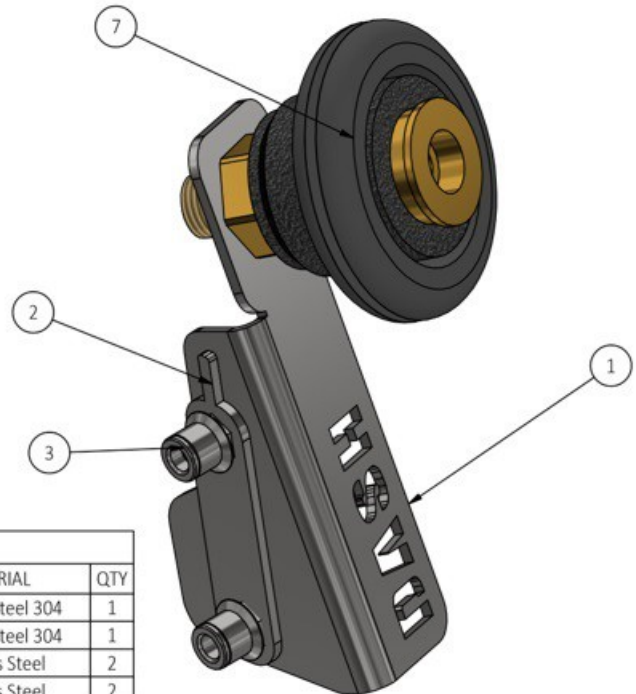
# DASH Y62 QUARTER AIR OUTLET KIT

## INSTALLATION INSTRUCTIONS



DB-AOK Air outlet modification

**Note:** The Quick Connect air outlet will need to be modified to suit. Place air outlet on a cloth on a hard surface (as shown in pictures) Place a 21mm socket or similar over the air outlet fitting as shown and lightly “tap” using a soft mallet or similar until plastic outer is flush as shown.



CONTENTS				
ITEM	PART NUMBER	THICKNESS	MATERIAL	QTY
1	AIR OUTLET BRACKET V2	2.000mm	Stainless Steel 304	1
2	MOUNTING BRACKET	2.000mm	Stainless Steel 304	1
3	M6 HEXSERT		Stainless Steel	2
4	M6 PLAIN WASHER		Stainless Steel	2
5	M6 SPRING WASHER		Stainless Steel	2
6	M6x20 BROACHED BUTTON HEAD SCREW		Stainless Steel	2
7	GROMMET 38.1 mm ID		Rubber	1
8	1/4 BSP MALE - FEMALE STRAIGHT ADAPTOR			1
9	1/4 BSP MALE PLUG			1
10	1/4 BSP FEMALE - FEMALE - MALE TEE FITTING			1
11	1/4 BSP FEMALE TO JIC-4 MALE 90 DEGREE ADAPTOR			1
12	1/4 BSP FEMALE TO JIC-4 MALE STRAIGHT ADAPTOR			1
13	JIC-4 MALE TO JIC4 FEMALE 90 DEGREE ADAPTOR			1
14	JIC-4 FEMALE - FEMALE HOSE - 500mm LONG			1

# DASH Y62 QUARTER AIR OUTLET KIT TEMPLATE



Print PDF using the "ACTUAL SIZE" setting, do not scale image.

